

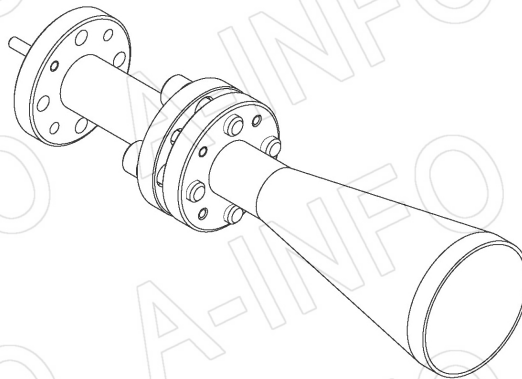
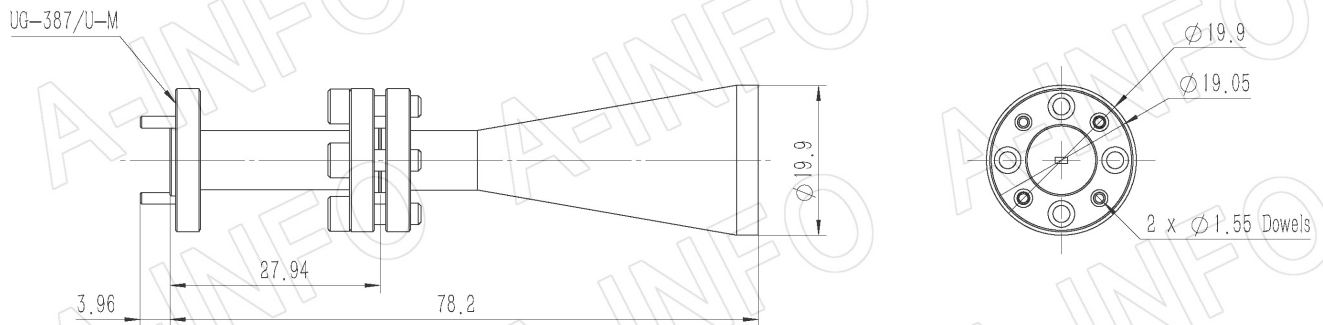
For reference only. See data sheet for the detailed specifications.

Technical Specification



Frequency Range(GHz)	110.0 – 170.0
Waveguide	WR6
Gain(dBi)	25 Typ.
Polarization	Linear
3dB Beamwidth(deg)	E Plane: 8 Typ.
	H Plane: 9 Typ.
Cross Pol. Isolation(dB)	35 Typ.
VSWR	1.25:1 Max.
Output	UG-387/U-M
Material	Cu
Finish	Gold Plated
Size(mm)	19.9 x 19.9 x 78.2
Net Weight(Kg)	0.05 Around

Outline Drawing (Size: mm)



AINFO Inc.

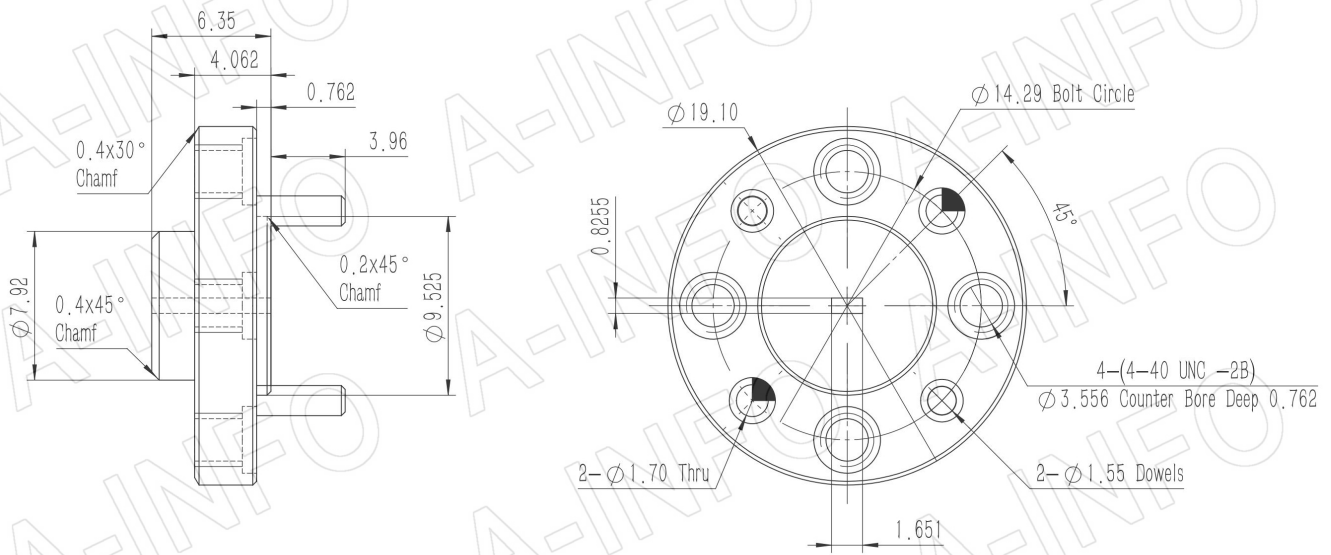
China(Beijing): Tel: (+86) 10-6266-7326,
China(Chengdu): Tel: (+86) 28-8519-2786,
USA: Tel: (+1) 949-639-9688,

Page 1 of 5

(+86) 10-6266-7327 Fax: (+86) 10-6266-7379
(+86) 28-8519-3044 Fax: (+86) 28-8519-3068
(+1) 949-639-9608 Fax: (+1) 949-639-9670

Website: www.ainfoinc.com
Email: sales@ainfoinc.com

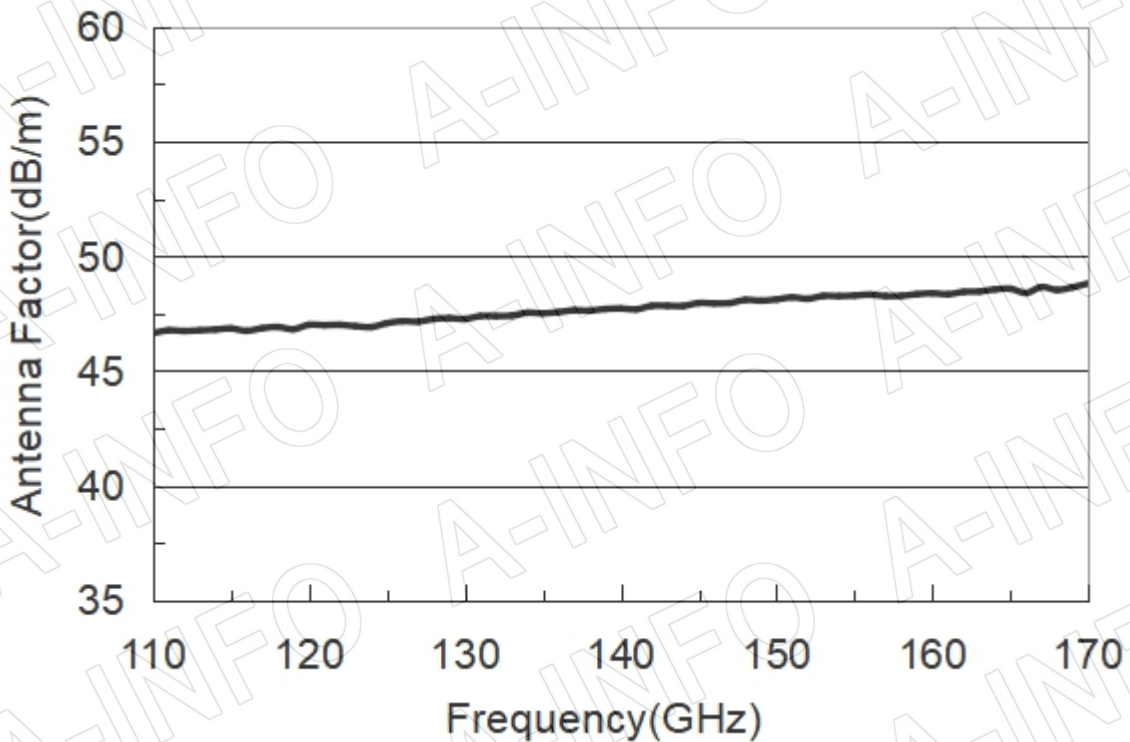
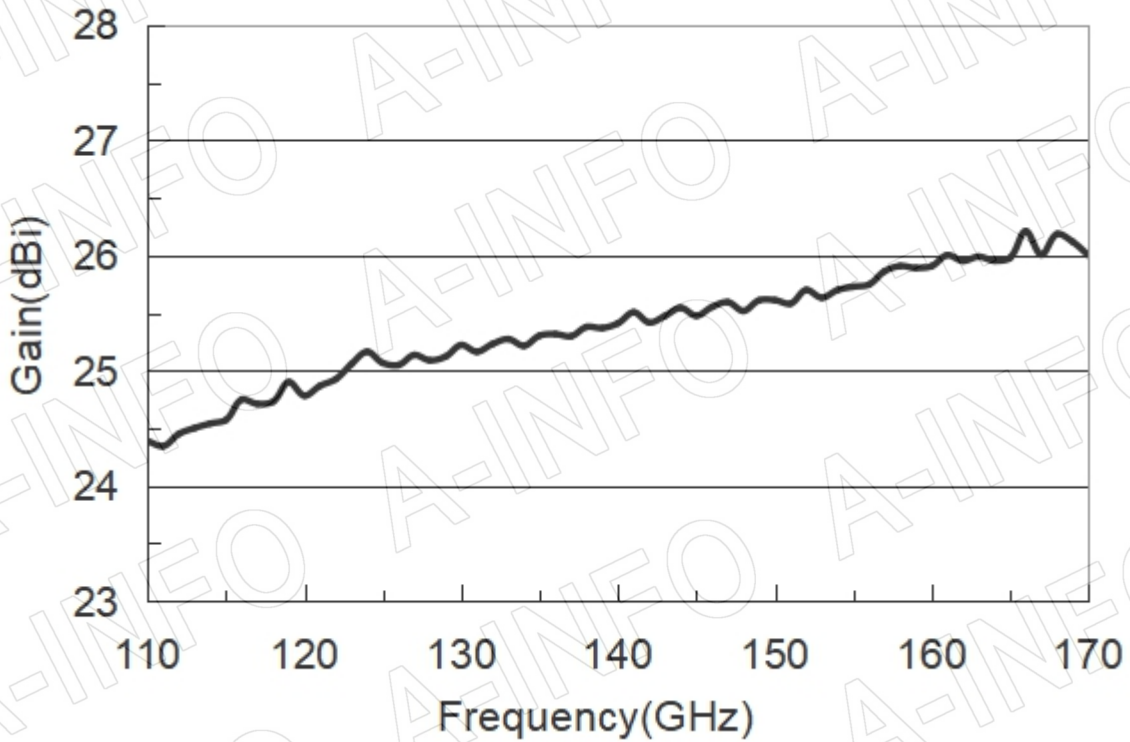
Flange Drawing (Size: mm)



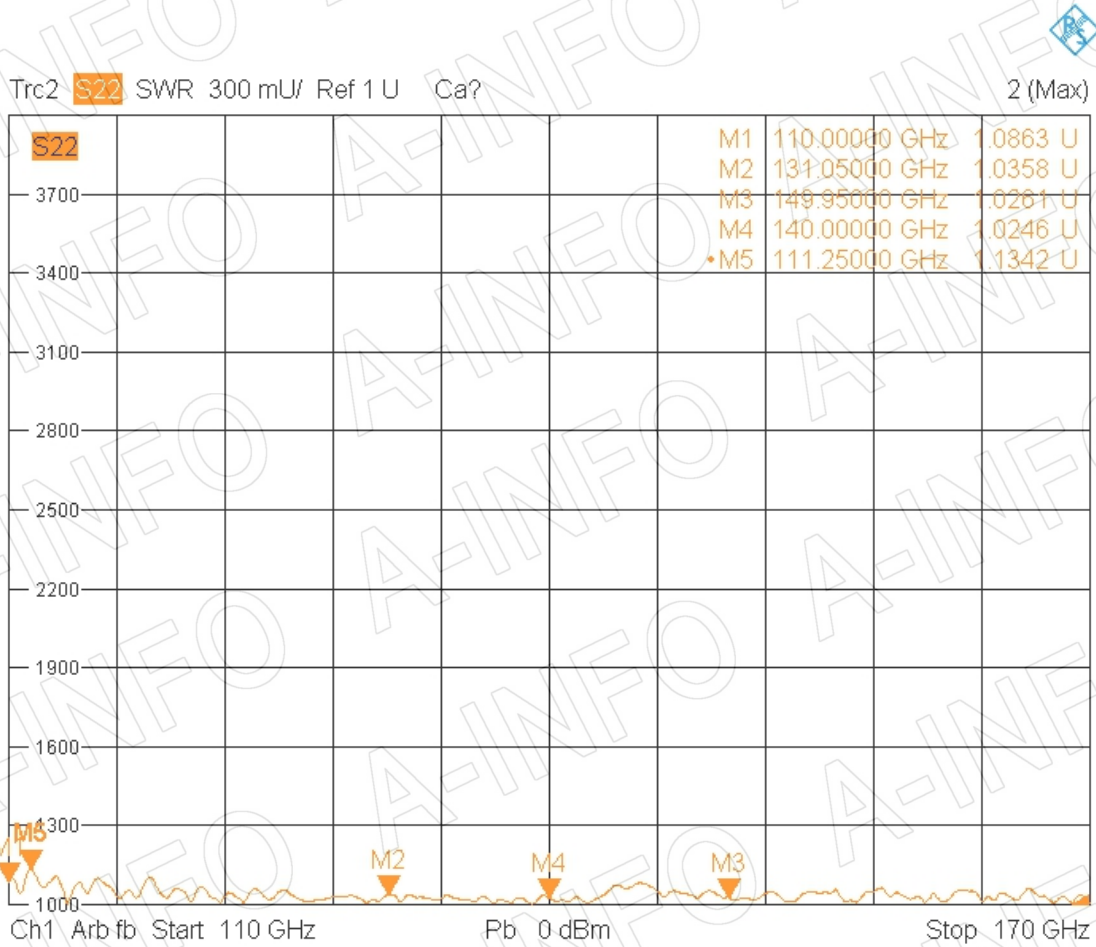
UG-387/U-M

Test Results

1. Gain & Antenna Factor



2. VSWR



3. Pattern

